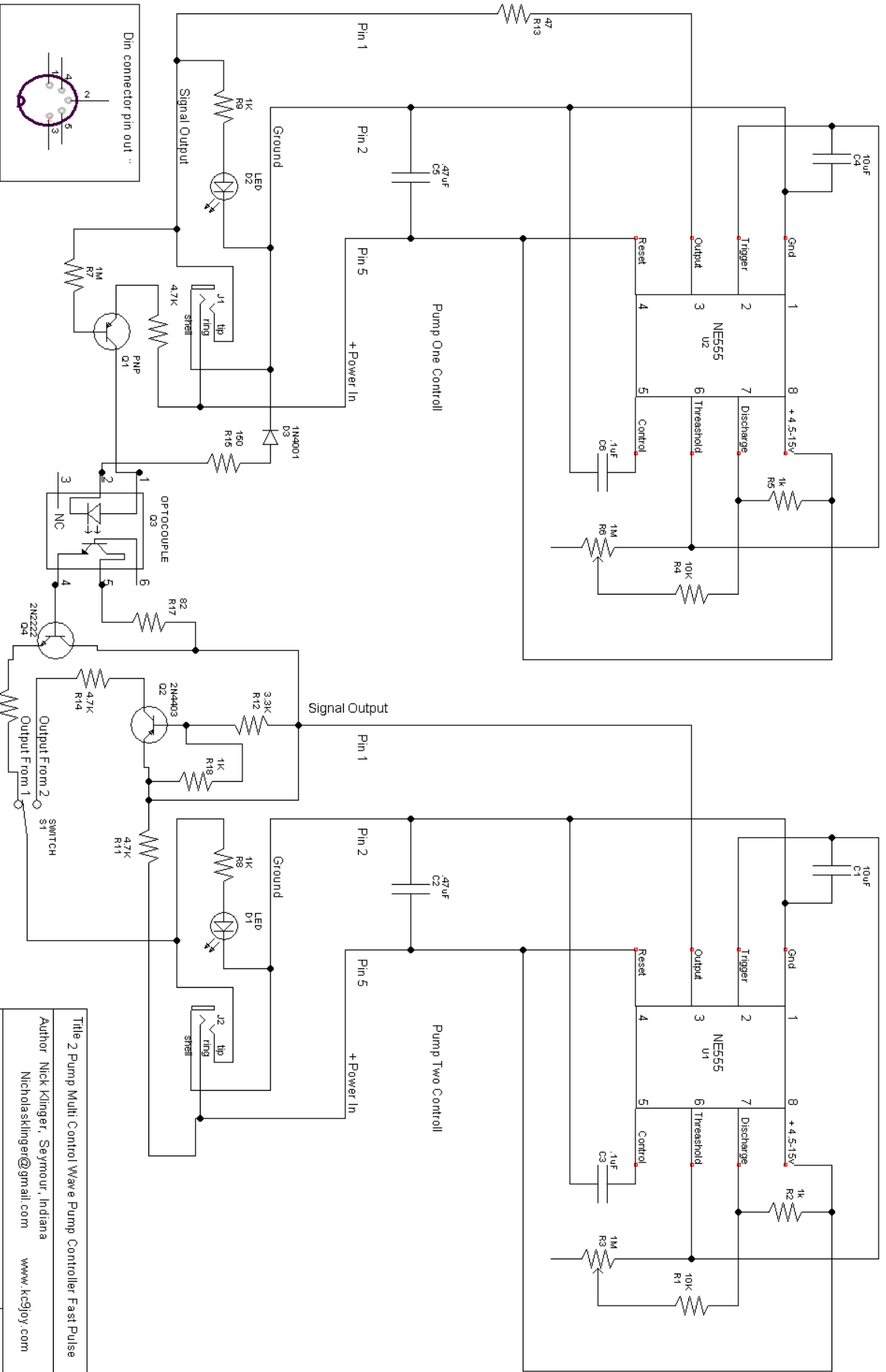
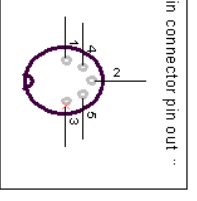


Milli-Second to 17 Second Pulse With Circuit



Stereo Plug: Tip=Signal Out, Ring=Power In, Shell=Ground
 If using direct wire: Signal Out=Pin 1, Gnd=Pin2, Power In=Pin5
 Use Image to identify pins. This is as if you are looking at the connector on the cable.



Title 2 Pump Multi Control Wave Pump Controller Fast Pulse		
Author	Nick Klingner, Seymour, Indiana	www.kcdjey.com
	NicholasKlingner@gmail.com	
File	sh Tank ControllerWave Control for fish tank.dsn	
Revision	Date	August 24, 2008
1.0		1 of 1